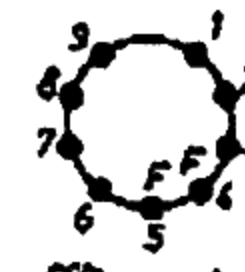
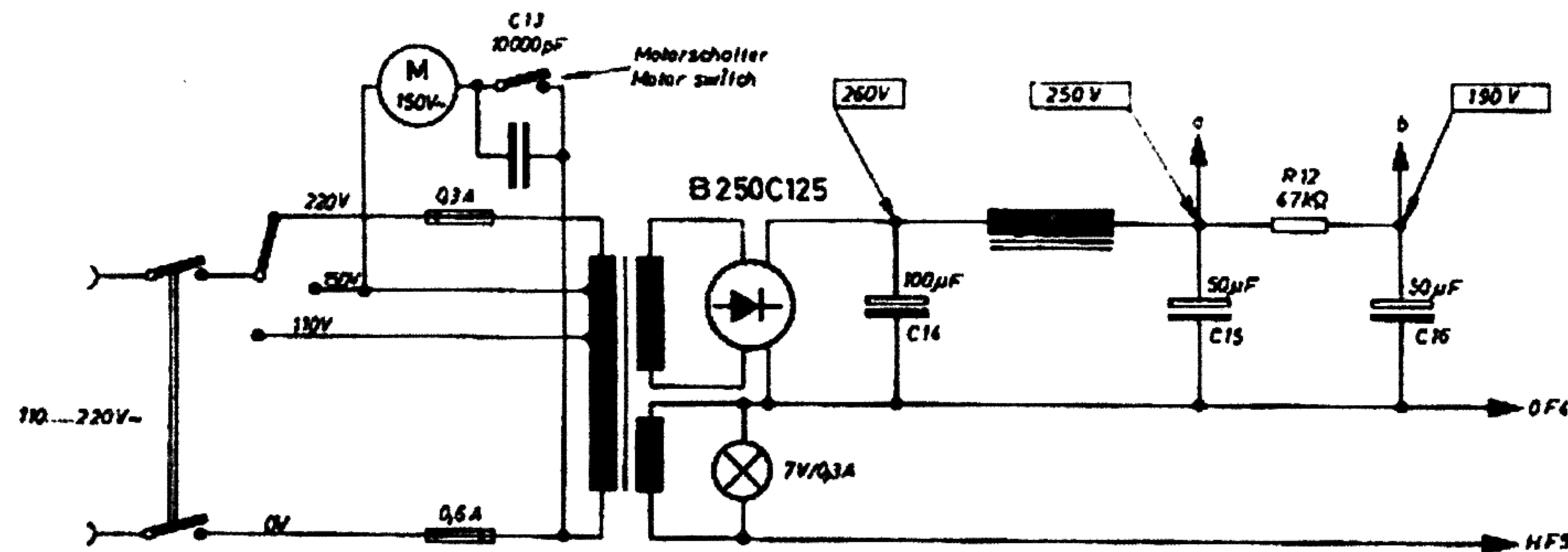
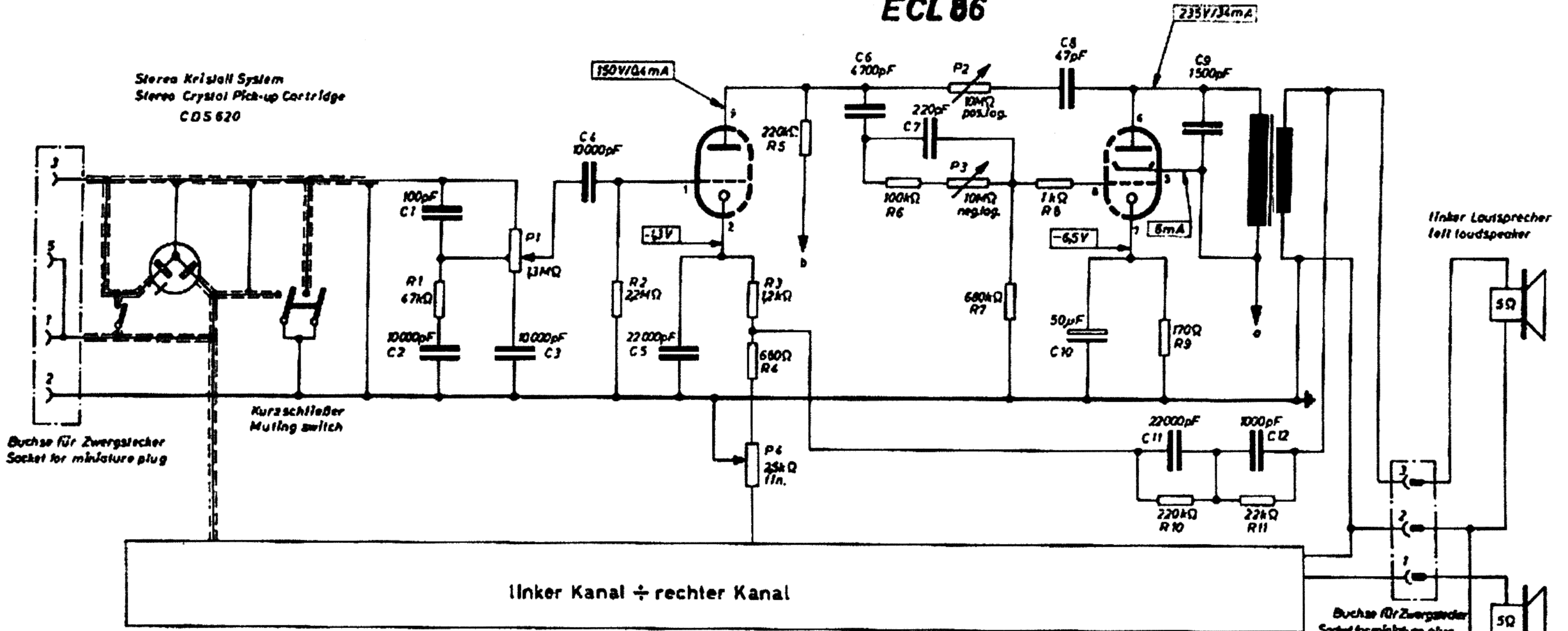


# Schaltschema p 1011 V26

# Wiring Diagram

## ECL 86

Stereo Kristall System  
Stereo Crystal Pick-up Cartridge  
CDS 620



Spannungen gemessen mit Röhrenvoltmeter (R1 = 5MΩ)  
Ströme " " Multivolt II (333Ω/V)  
Voltages measured with valve voltmeter (R1 = 5MΩ)  
Currents " " Multivolt II (333Ω/V)

Alteration reserved!  
Änderungen vorbehalten!

26M-07 8.2.1966

Printed in Germany